

ILLUSTRATED PARTS LIST

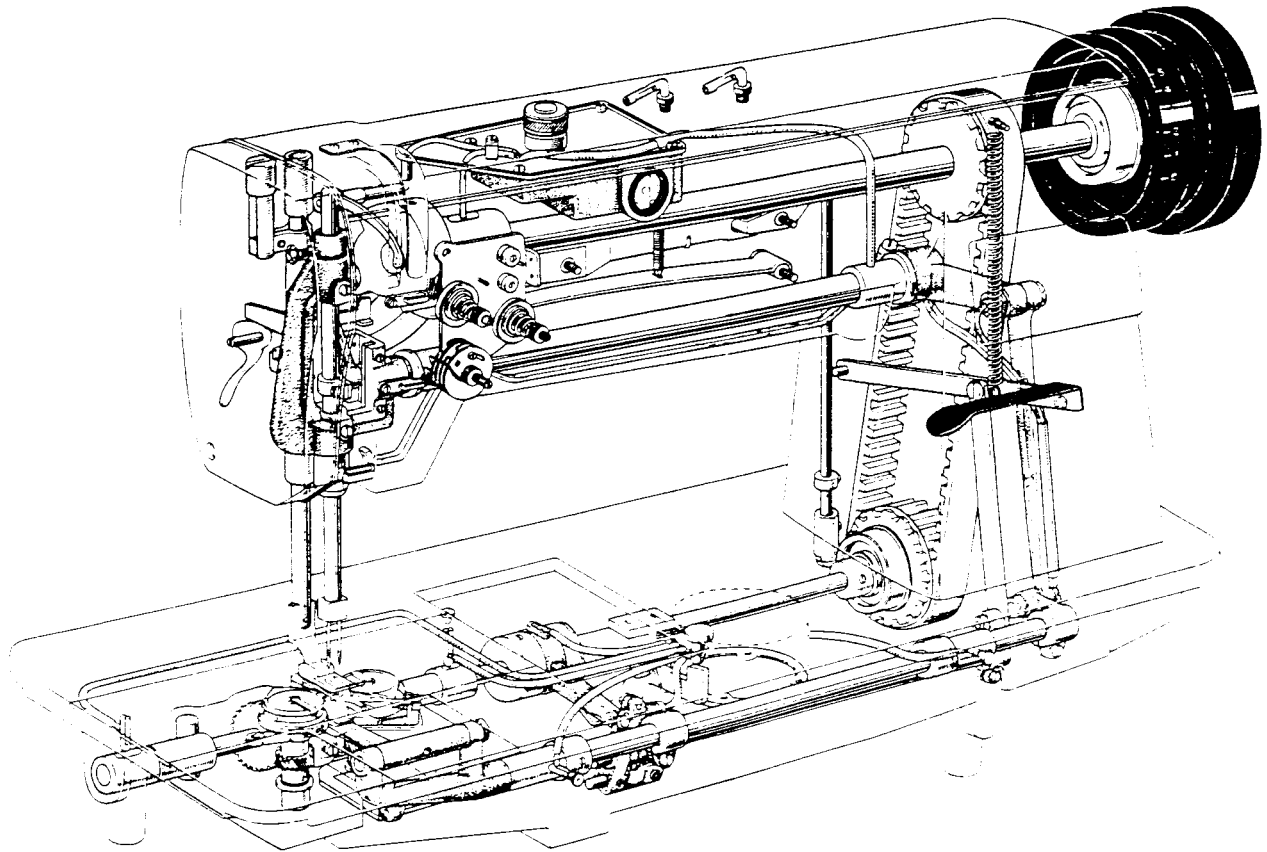
HISTORICAL COPY
DO NOT REMOVE

SINGER

312

U 141

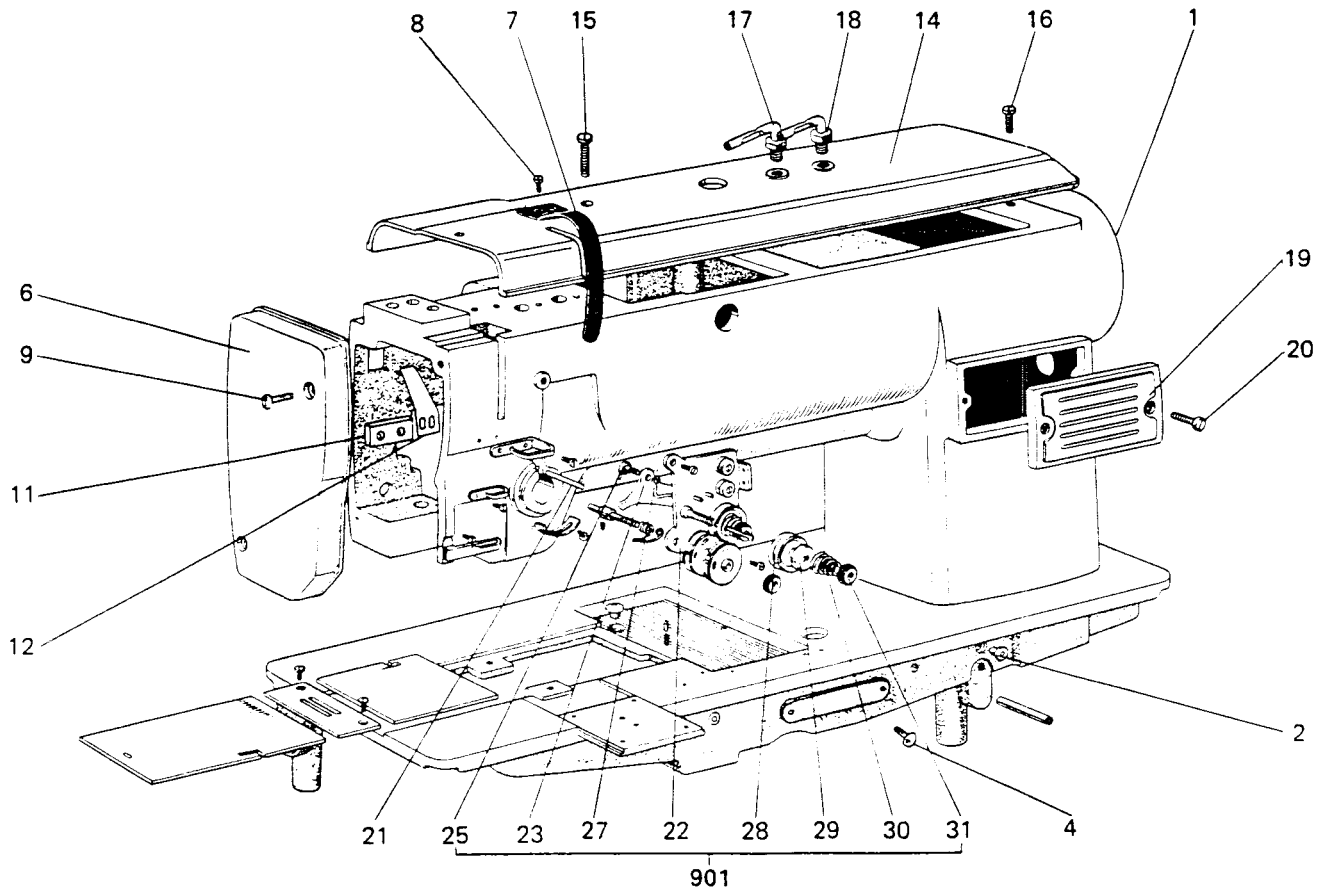
1. TOTAL ASSY,



INDEX

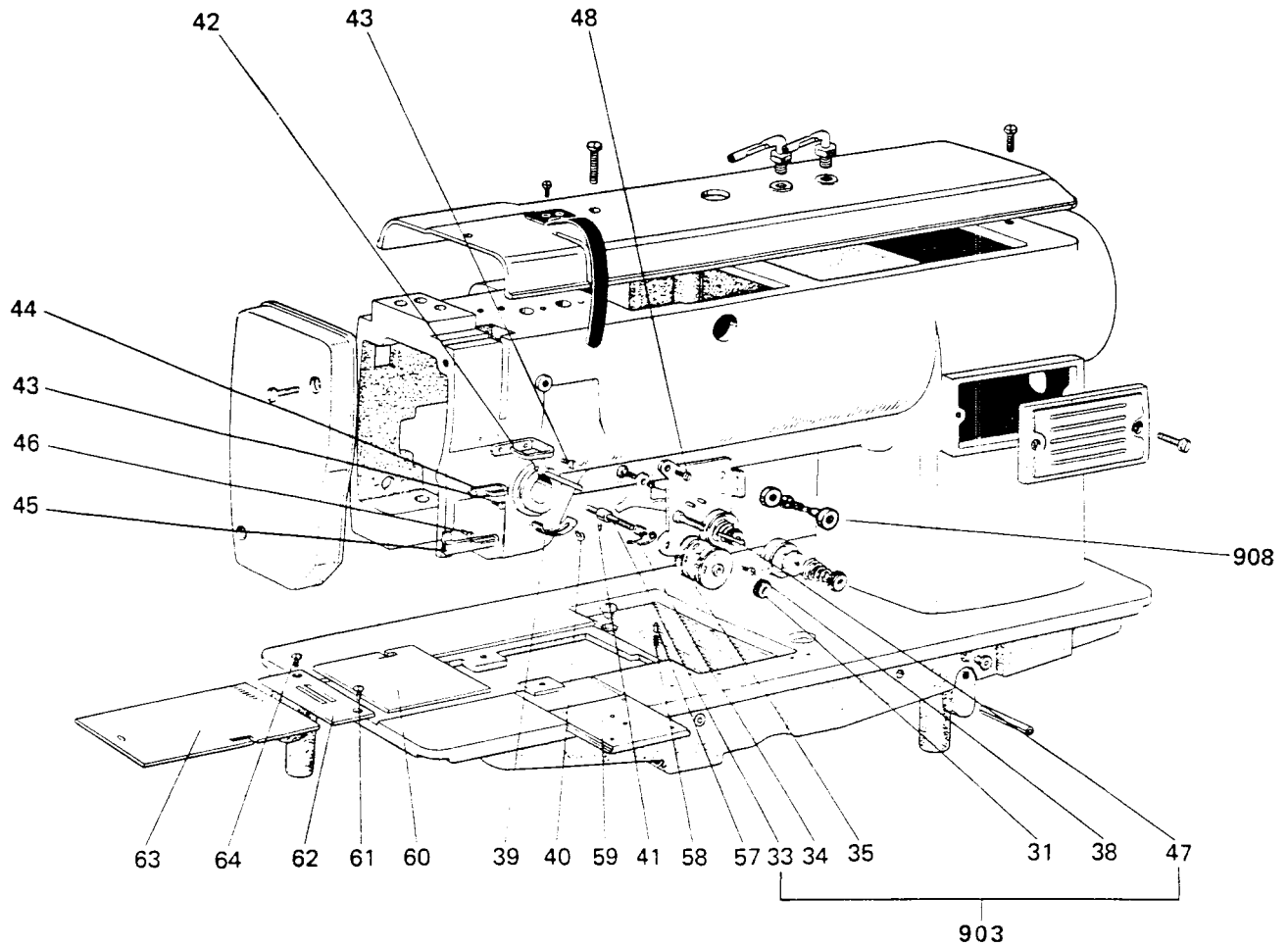
	Page
1. Total assy	1
2. Arm and bed	2
3. Upper shaft mechanism	4
4. Presser foot mechanism	5
5. Thread take-up mechanism	6
6. Lower shaft mechanism	7
7. Lower feed mechanism	8
8. Hook mechanism	9
9. Lubrication mechanism	10
10. Reverse lever mechanism	12
11. Accessories (Accessories box)	13

2. ARM AND BED



Ref. No.	Part No.	Description	Ref. No.	Part No.	Description
1	CH220699G01	Arm and bed	27	CH502148H01	Reverse spring
2	CH462905H01	Cover (3)	28	CH445933H01	Tension disc (4)
6	CH338247H01	Face plate	29	CH445934H01	Disc presser (2)
7	CH479316H01	Thread take-up lever guard	30	CH461785H01	Tension spring #3 (2)
8	CH500294H01	Screw	31	CH502940H01	Tension nut (3)
9	CH467880H01	Face plate set screw (2)	901	CH225101G01	Thread tension regulator Assy.
11	CH445874H01	Washer	4	CH573141H03	Rivet (2)
12	CH445863H01	Oil rejector			
14	CH219155H01	Top cover			
15	CH500261H01	Screw for top cover			
16	CH500262H01	Screw for top cover			
17	CH445861H01	Thread guide for top cover (2)			
18	CH500001H01	Thread guide nut (2)			
19	CH461026H01	Front cover			
20	CH466810H01	Front cover screw (2)			
21	CH501025H01	Thread releasing pin (large)			
22	CH450010H01	Thread regulator plate			
23	CH450020H01	Thread regulator plate (2)			
25	CH501026H01	Screw (2)			

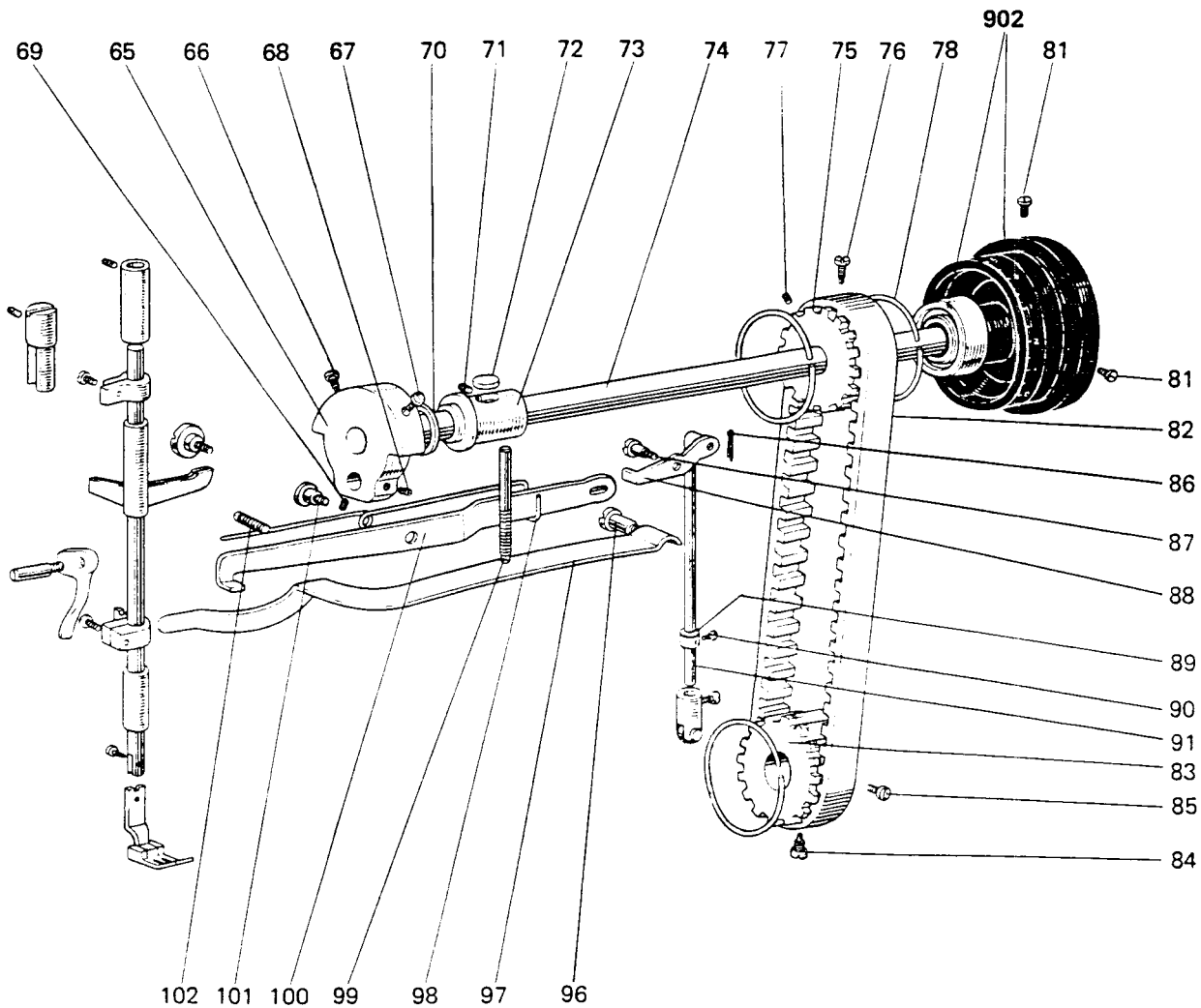
2. ARM AND BED



Ref. No.	Part No.	Description
33	CH450011H01	Tension stud
34	CH450012H01	Take-up spring
35	CH445937H01	Thread controller disc Assy (2)
38	CH502062H01	Screw
903	CH480432G01	Thread tension regulator Assy.
39	CH445942H01	Tension spring stopper
40	CH500076H01	Screw
41	CH509060H01	Screw (2)
42	CH445857H01	Thread guide (upper)
43	CH500147H01	Screw (2)
44	CH445858H01	Thread guide (center)
45	CH446710H01	Thread guide (lower)
46	CH501523H01	Screw
47	CH462824H01	Thread releasing pin (small) (2)
48	CH500294H01	Screw
908	CH480431G01	Thread guide disc Assy. (2)
57	CH501034H01	Pin
58	CH501035H01	Spring
59	CH319989H01	Slide plate (front)
60	CH445916H01	Slide plate (right)

Ref. No.	Part No.	Description
61	CH502948H01	Screw
62	CH467274H01	Throat plate (Needle gauge 3/16)
	CH467279	Throat plate (Needle gauge 1/4)
63	CH445915H01	Slide plate (left)
64	CH501004H01	Screw

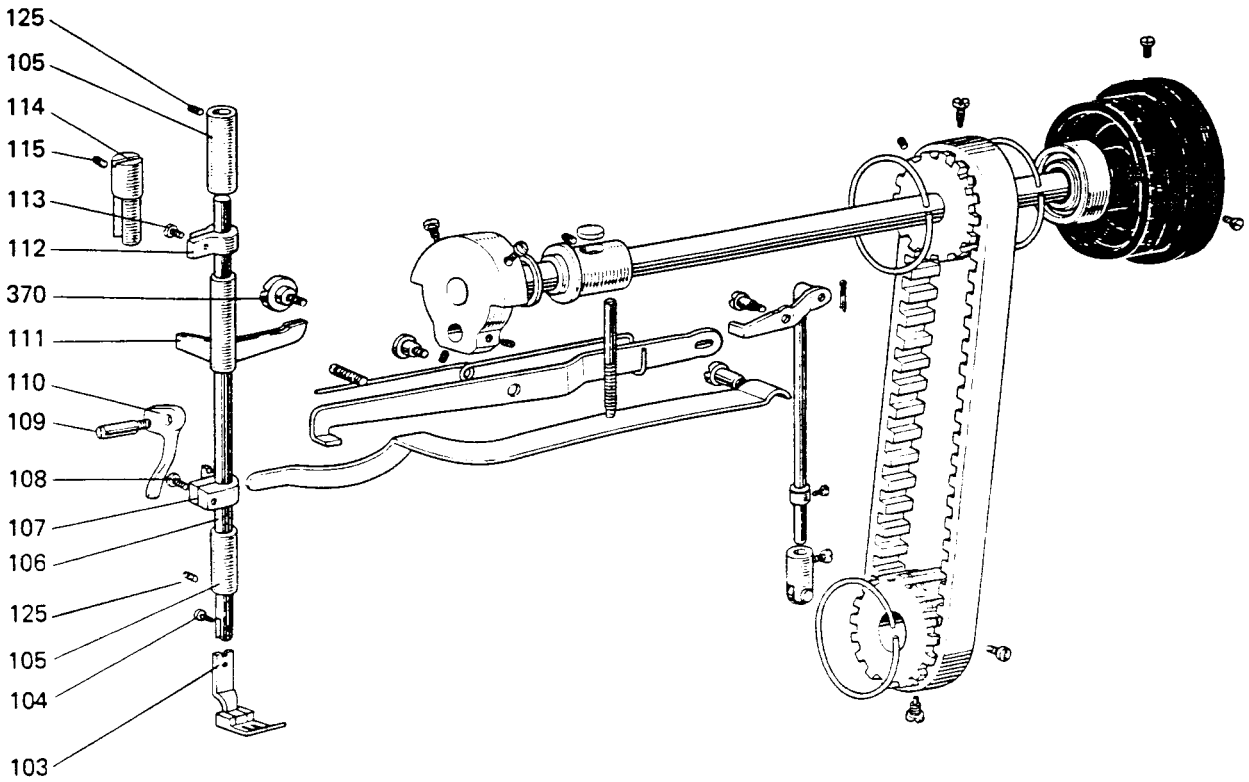
3. UPPER SHAFT MECHANISM



Ref. No.	Part No.	Description
65	CH445865H01	Needle bar crank
66	CH503851H01	Position screw
67	CH500306H01	Screw
68	CH504016H01	Set screw
69	CH500486H01	Set screw
70	CH445867H01	Ring
71	CH501017H01	Screw for arm shaft bushing
72	CH478164H01	Felt
73	CH445868H01	Arm shaft bushing
74	CH319981H01	Arm shaft
75	CH447043H01	Belt pulley (upper)
76	CH509256H01	Screw
77	CH500706H01	Screw
78	CH411094H01	Spring flange (3)
81	CH500509H01	Set screw (2)
82	CH326218H01	Timing belt
83	CH447044H01	Belt pulley (lower)
84	CH501212H01	Screw
85	CH508963H01	Screw
902	CH454814G01	Machine pulley Assy.
96	CH501006H01	Screw
97	CH319992H01	Presser spring
98	CH445922H01	Lifting lever spring
99	CH445917H01	Spring regulating screw
100	CH319993H01	Lifting lever
101	CH446725H01	Lifting lever hinge screw
102	CH501019H01	Spring stop screw

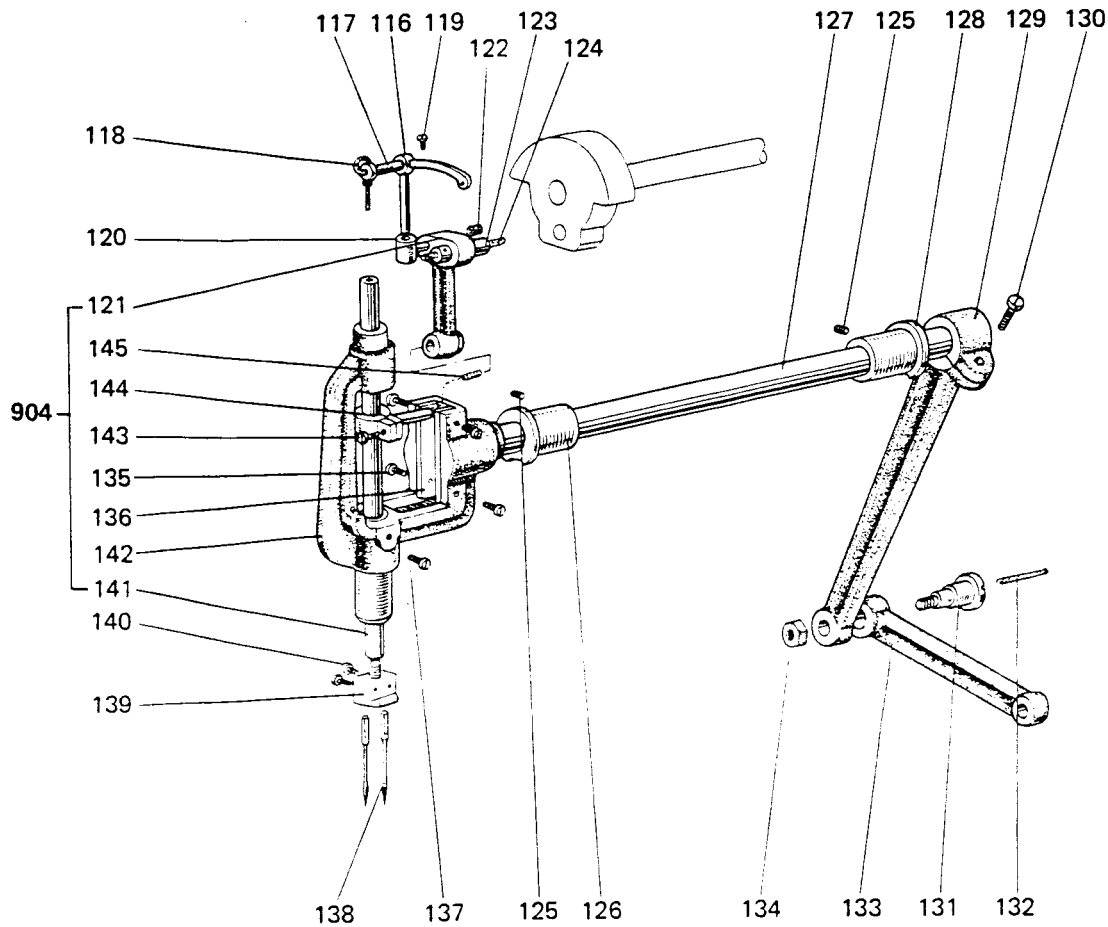
Ref. No.	Part No.	Description
86	CH500245H01	Cotter pin
87	CH501020H01	Screw
88	CH445923H01	Knee lifter lever #2
89	CH445924H01	Collar
90	CH500092H01	Screw
91	CH319994H01	Lifting rod

4. PRESSER FOOT MECHANISM



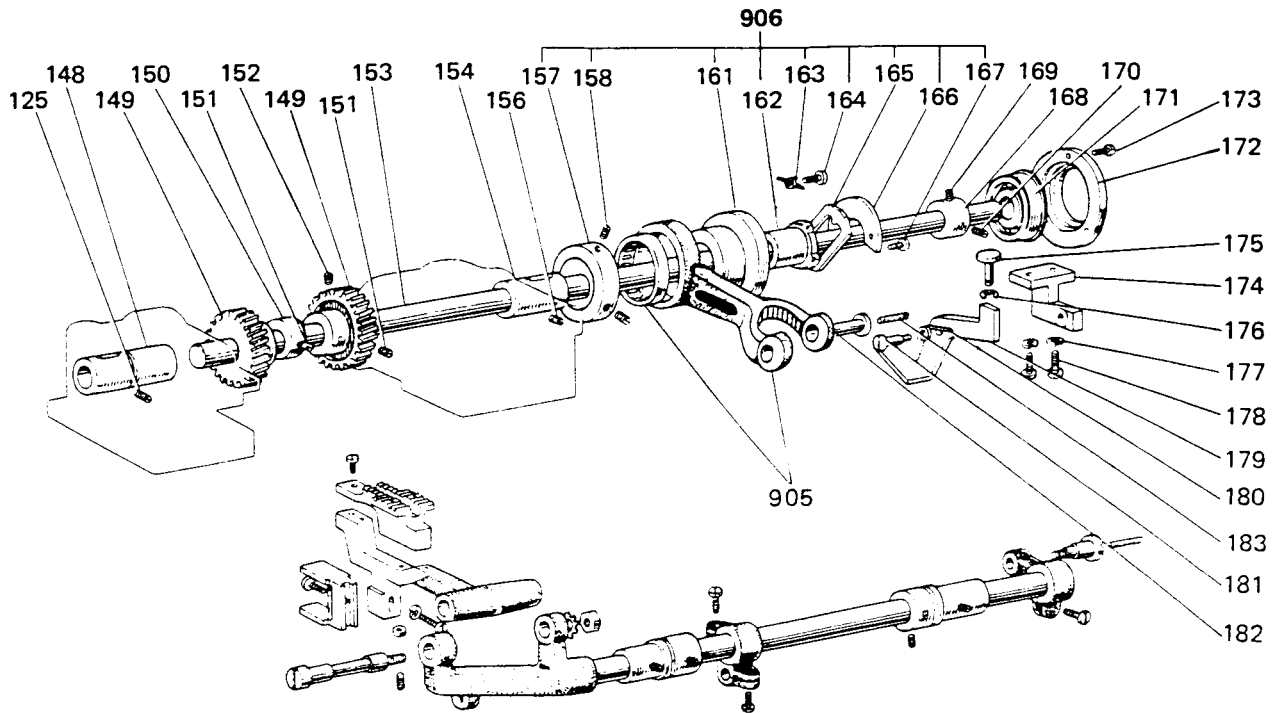
Ref. No.	Part No.	Description	Ref. No.	Part No.	Description
103	CH328858H01	Presser foot (Needle gauge 3/16)			
	CH328863H01	Presser foot (Needle gauge 1/4)			
104	CH501007H01	Screw			
105	CH445929H01	Presser bar bushing (2)			
106	CH445919H01	Presser bar			
107	CH445921H01	Spring bracket			
108	CH500470H01	Screw			
109	CH501024H01	Hinge screw			
110	CH459307H01	Presser bar lifter			
111	CH319991H01	Releasing lever bracket			
112	CH445920H01	Presser bar guide lever			
113	CH509268H01	Pinch screw			
114	CH445918H01	Presser bar position guide			
115	CH500478H01	Set screw			
370	CH501014H01	Hinge screw			

5. THREAD TAKE-UP MECHANISM



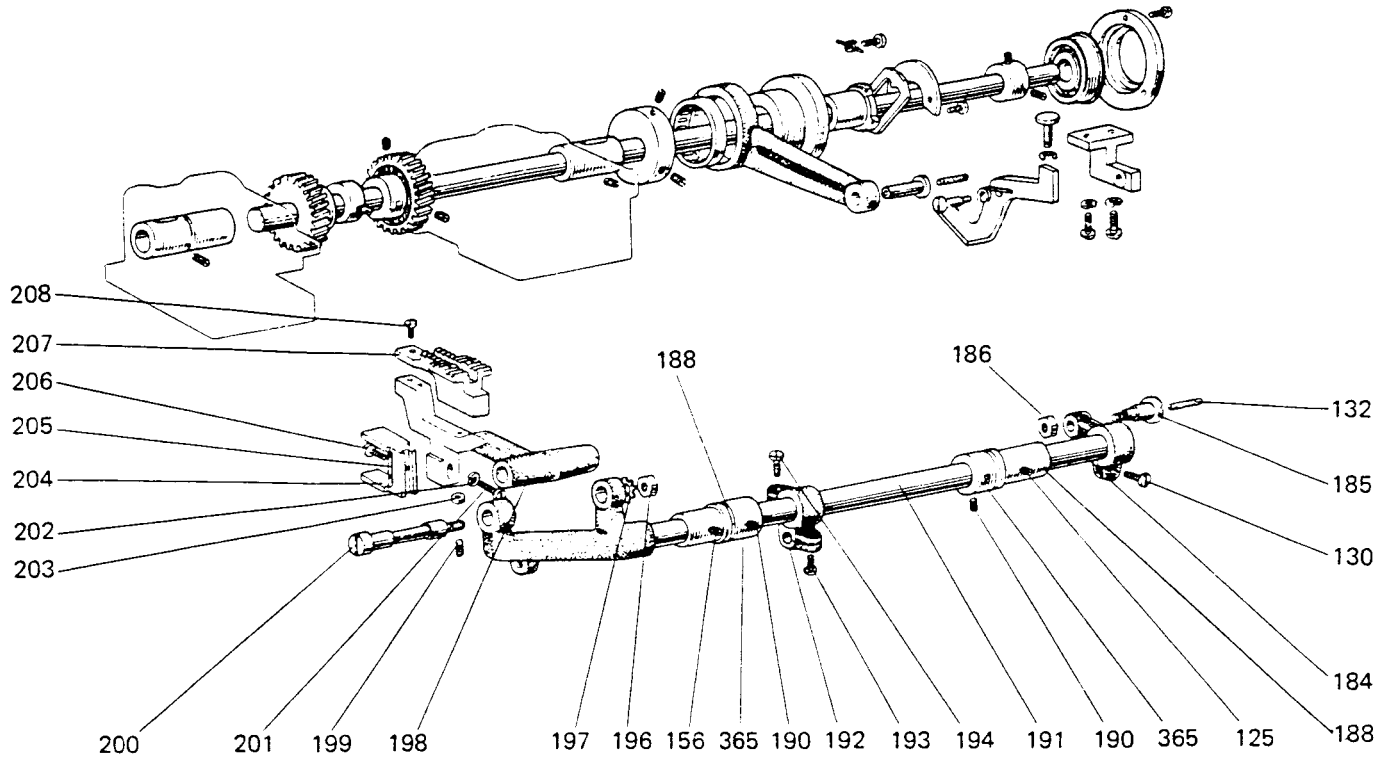
Ref. No.	Part No.	Description	Ref. No.	Part No.	Description
116	CH445882H01	Thread take-up lever	134	CH501187H01	Nut
117	CH445883H01	Take-up lever support stud	135	CH501205H01	Screw (4)
118	CH444138H01	Oil wick	136	CH445873H01	Spacer (2)
119	CH500509H01	Screw	137	CH508852H01	Screw (4)
120	CH445881H01	Take-up slide block	138	CAT No. 1901	Needle #14 (2)
121	CH322764H01	Needle bar connection link	139	CH467851H01	Needle clamp (Needle gauge 3/16)
122	CH501275H01	Plug (aluminium)		CH467856H01	Needle clamp (Needle gauge 1/4)
123	CH445866H01	Crank pin	140	CH500991H01	Set screw (2)
124	CH500801H01	Felt	141	CH445878H01	Needle bar
125	CH500478H01	Screw (6)	142	CH324540H01	Needle bar rock frame
126	CH462919H01	Needle bar rock frame rock shaft bushing (left)	143	CH500470H01	Screw
127	CH445872H01	Needle bar rock frame rock shaft	144	CH445877H01	Needle bar connecting stud
128	CH445871H01	Needle bar rock frame rock shaft bushing (right)	145	CH500499H01	Felt
129	CH319982H01	Needle bar rock frame rock shaft crank	904	CH225103G01	Needle bar rock frame Assy.
130	CH501009H01	Screw (2)			
131	CH501010H01	Hinge screw			
132	CH462978H01	Oil wick			
133	CH445880H01	Rock shaft crank link			

6. LOWER SHAFT MECHANISM



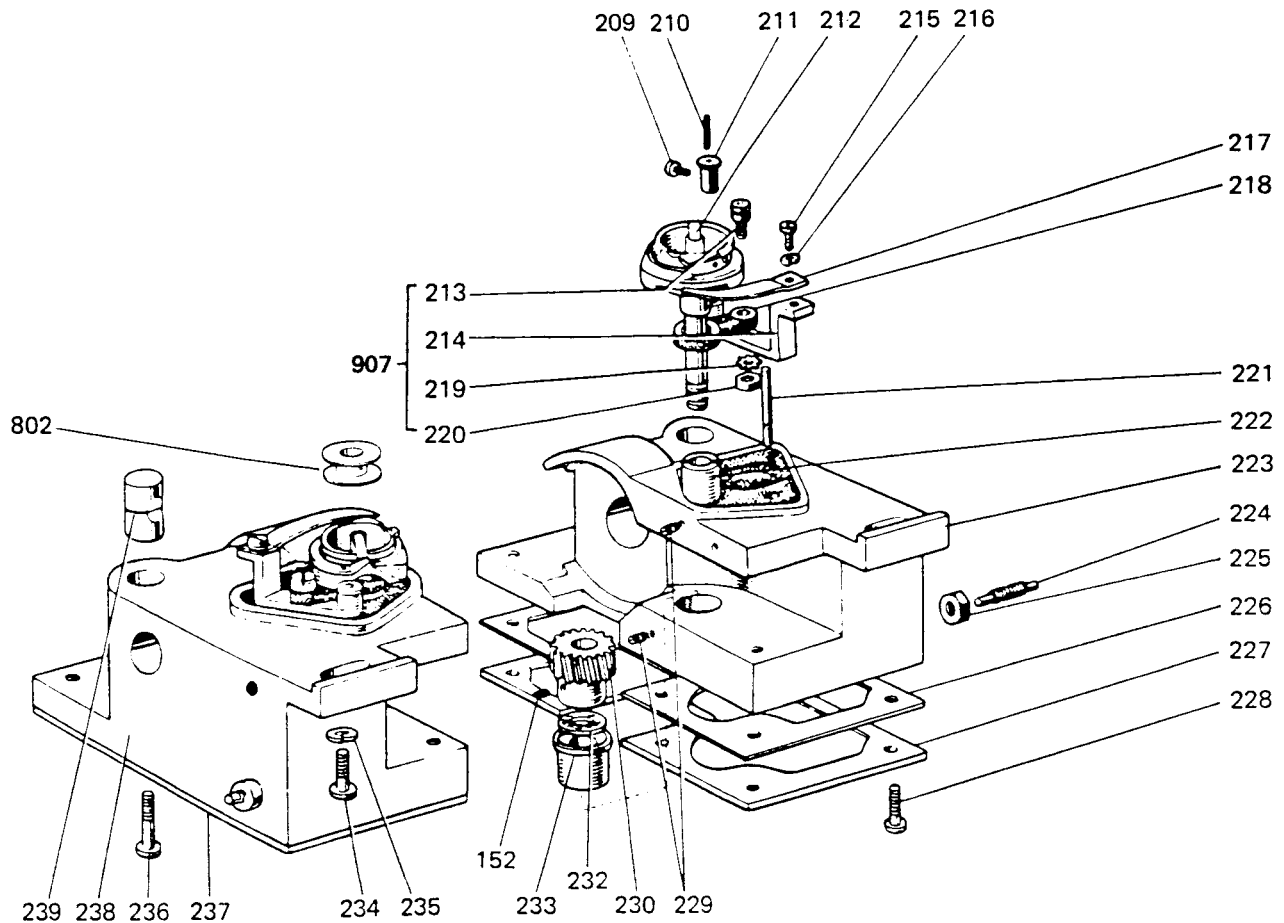
Ref. No.	Part No.	Description	Ref. No.	Part No.	Description
148	CH445890H01	Hook driving shaft bushing (left)	173	CH500994H01	Screw (3)
149	CH319984H01	Gear (large) (2)	174	CH453591H01	Lever bracket
150	CH445912H01	Feed lifting cam	175	CH460512H01	Push button
151	CH468269H01	Screw (2)	176	CH592411H05	Stop ring
152	CH500036H01	Screw (8)	177	CH561121H03	Spring washer (2)
153	CH445889H01	Hook driving shaft	178	CH500182H01	Screw (2)
154	CH445891H01	Hook driving shaft bushing (right)	179	CH461027H01	Push button lever
156	CH501017H01	Screw (2)	180	CH502469H01	Twisted spring
158	CH509060H01	Screw (2)	181	CH500205H01	Screw
163	CH501163H01	Spring	182	CH501015H01	Pin
164	CH501162H01	Screw	183	CH500231H01	Oil wick
165	CH446370H01	Friction plate	905	CH339699G01	Feed connecting rod Assy.
166	CH446371H01	Cover plate			
167	CH500791H01	Screw (2)			
168	CH445887H01	Needle bar connecting stud			
169	CH500036H01	Screw			
170	CH468269H01	Screw			
171	CH445886H01	Ball bearing (lower shaft)			
906	CH331448G01	Feed regulator Assy.			
172	CH461041H01	Bearing holder			

7. LOWER FEED MECHANISM



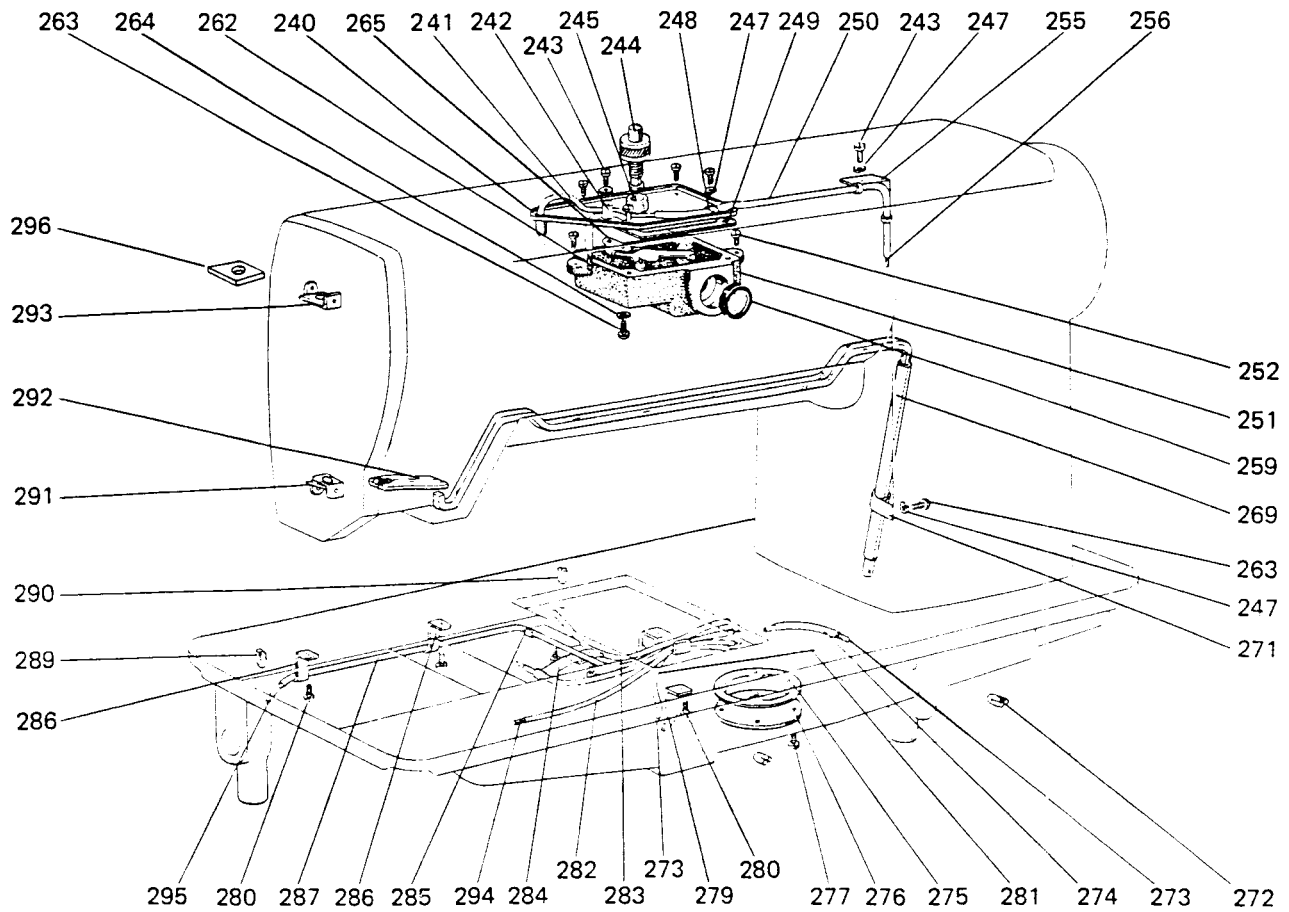
Ref. No.	Part No.	Description	Ref. No.	Part No.	Description
184	CH445908H01	Feed lifting crank (right)	207	CH467287H01	Feed dog (Needle gauge 3/16)
185	CH501010H01	Screw		CH467292H01	Feed dog (Needle gauge 1/4)
186	CH501187H01	Nut	208	CH501000H01	Screw (2)
188	CH445910H01	Feed driving rock shaft bushing(2)	365	CH445954H01	Collar (2)
190	CH508971H01	Screw (4)			
191	CH319986H01	Feed driving rock shaft			
192	CH462949H01	Feed driving crank (left)			
193	CH501009H01	Screw			
194	CH509178H01	Screw			
196	CH501058H01	Nut			
197	CH563122H05	Washer			
198	CH459348H01	Feed bar			
199	CH501001H01	Screw			
200	CH445911H01	Feed bar hinge stud			
201	CH501002H01	Screw			
202	CH500645H01	Washer			
203	CH501210H01	Nut			
204	CH445913H01	Feed eccentric fork			
205	CH501011H01	Felt			
206	CH501003H01	Screw			

8. HOOK MECHANISM



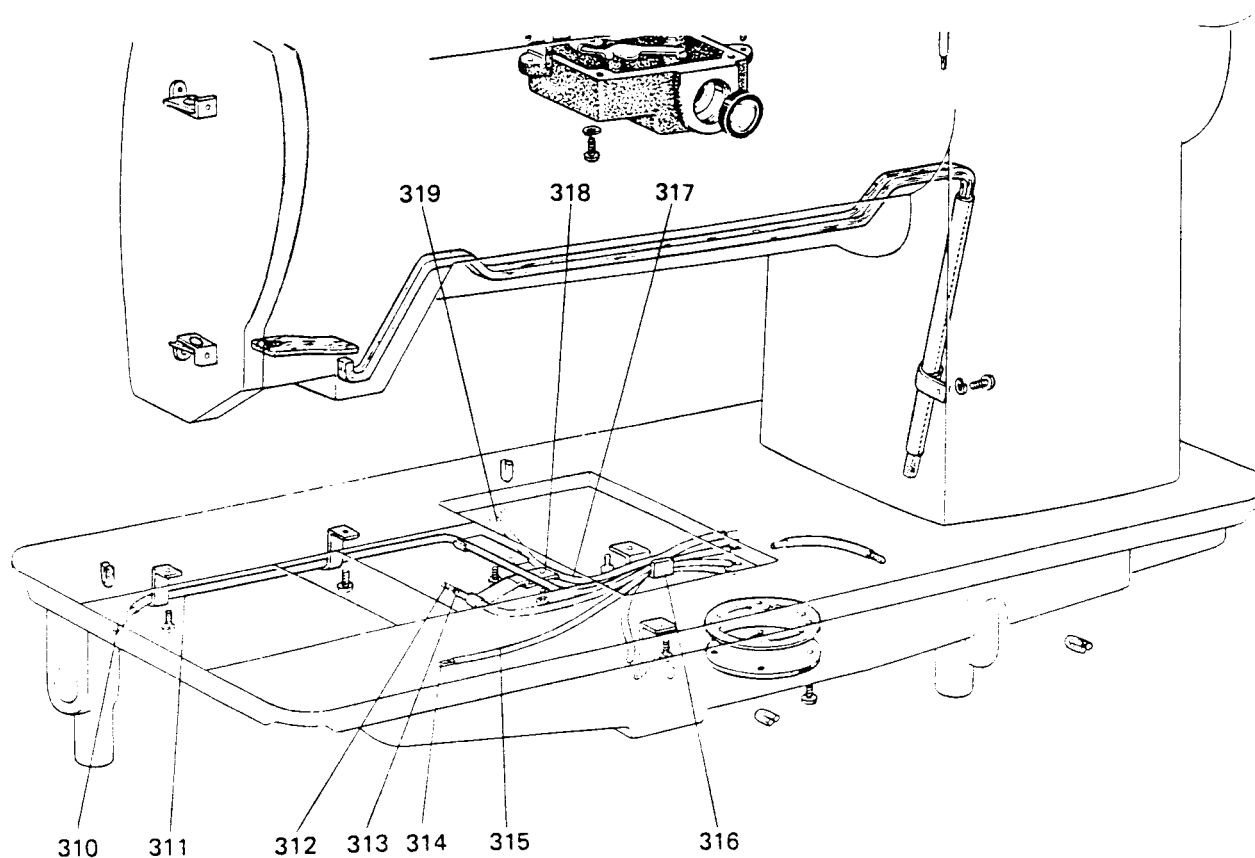
Ref. No.	Part No.	Description	Ref. No.	Part No.	Description
209	CH469860H01	Screw (2)	227	CH445896H01	Oil cover (hook saddle left)
210	CH462980H01	Oil wick (2)	228	CH469526H01	Screw (16)
211	CH444901H01	Opener supporter (2)	907	CH480434G01	Bobbin case opener lever Assy.
212	CH319995H01	Rotating hook Assy. (2)	229	CH508971H01	Screw (4)
213	CH445904H01	Bobbin case opener lever pin (2)	230	CH445892H01	Cam shaft gear (small) (2)
214	CH445902H01	Bobbin case opener lever (2)	232	CH501041H01	Washer (2)
215	CH509270H01	Screw (2)	233	CH445899H01	Hook driving shaft bushing (lower) (2)
216	CH508956H01	Washer (2)	234	CH501208H01	Screw (2)
217	CH445903H01	Bobbin case opener (2)	235	CH509331H01	Washer (2)
218	CH445900H01	Bobbin case opener lever link (2)	236	CH509074H01	Screw (2)
219	CH563122H04	Toothed washer (2)	237	CH445893H01	Oil cover
220	CH509177H01	Nut (2)	238	CH220611H01	Hook saddle (left)
221	CH502458H01	Oil gauge (2)	239	CH445905H01	Pinching bushing (2)
222	CH445898H01	Hook driving shaft bushing (upper) (2)	802	CH455964H01	Bobbin (2)
223	CH220612H01	Hook saddle (right)			
224	CH502747H01	Cock screw (2)			
225	CH509177H01	Nut (2)			
226	CH445895H01	Gasket (2)			

9. LUBRICATION MECHANISM



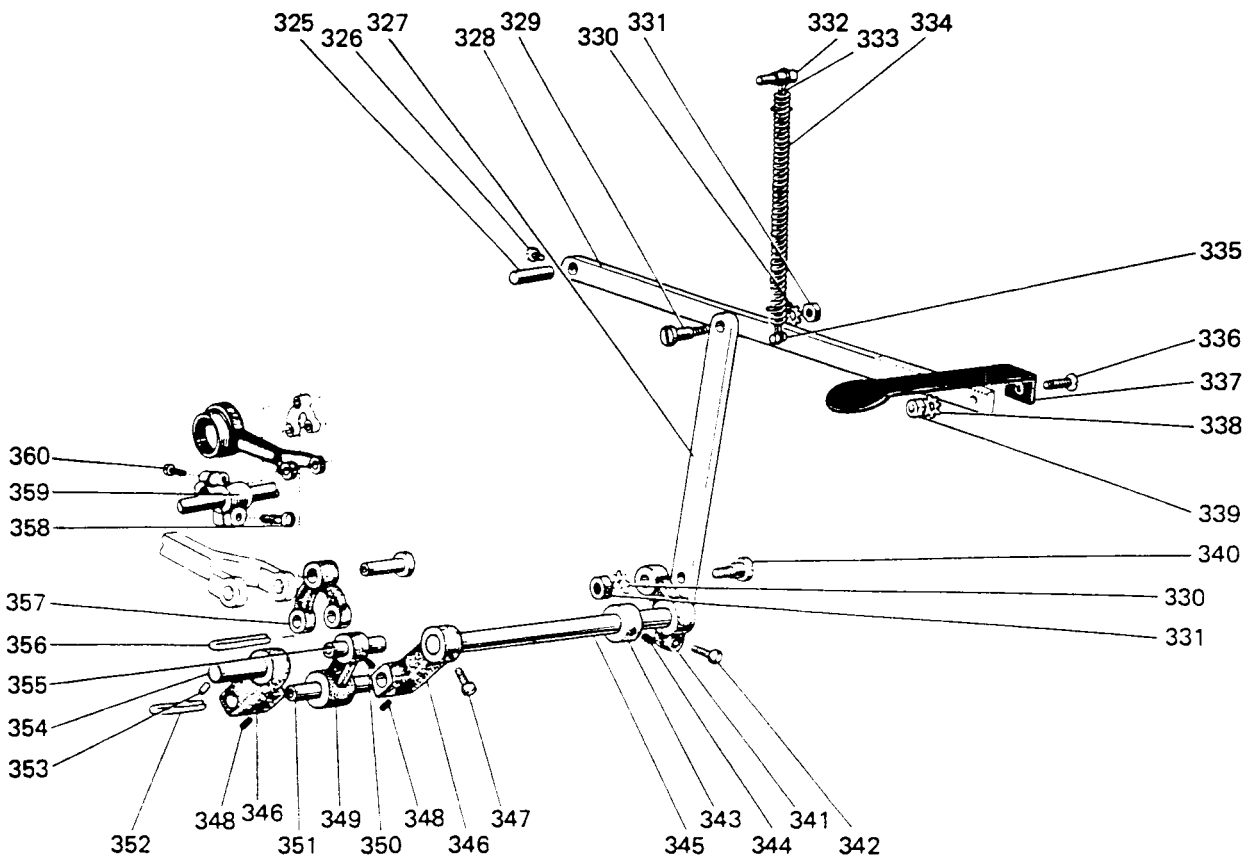
Ref. No.	Part No.	Description	Ref. No.	Part No.	Description
240	CH319980H01	Drip pan cover	274	CH462996H01	Vinyl tubing (2)
241	CH444138H01	Oil wick	275	CH444122H02-E	Packing (B)
242	CH501220H01	Tubing holder	276	CH444237H02-C	Cover (B)
243	CH509065H01	Screw (6)	277	CH467868H01	Screw (4)
244	CH462955H01	Oil plunger	279	CH551200H01	Tubing holder
245	CH502231H01	Bushing	280	CH500791H01	Screw (3)
247	CH561121H02	Spring washer (8)	281	CH462997H01	Vinyl tubing
248	CH444230H01	Tubing holder	282	CH462998H01	Vinyl tubing
249	CH444116H01	Packing	283	CH464001H01	Vinyl tubing
250	CH462994H01	Vinyl tubing	284	CH453596H01	Tubing holder
251	CH444114H01	Oil reservoir	285	CH446254H01	Tubing holder
252	CH509068H01	Screw (2)	286	CH446255H01	Tubing holder (2)
255	CH444699H01	Tubing holder	287	CH462999H01	Vinyl tubing
256	CH469530H01	Oil wick	289	CH462979H01	Oil wick
259	CH472784H01	Oil flow indicator	290	CH462983H01	Oil wick
262	CH462954H01	Felt	291	CH445945H01	Felt holder #2
263	CH503897H01	Screw (2)	292	CH478166H01	Felt (Needle bar rock frame)
264	CH561121H01	Spring washer (2)	293	CH445944H01	Felt holder #1
265	CH446556H01	Tubing holder	294	CH462985H01	Oil wick (2)
269	CH462995H01	Vinyl tubing	295	CH462986H01	Oil wick
271	CH501202H01	Tubing holder	296	CH478165H01	Felt
272	CH462983H01	Oil wick (2)			
273	CH462984H01	Oil wick (2)			

9. LUBRICATION MECHANISM



Ref. No.	Part No.	Description	Ref. No.	Part No.	Description
310	CH462989H01	Oil wick			
311	CH464003H01	Vinyl tubing			
312	CH462988H01	Oil wick			
313	CH464002H01	Vinyl tubing			
314	CH444138H01	Oil wick			
315	CH464051H01	Vinyl tubing			
316	CH501201H01	Tubing holder			
317	CH464006H01	Vinyl tubing			
318	CH444230H01	Tubing holder (2)			
319	CH462992H01	Oil wick			

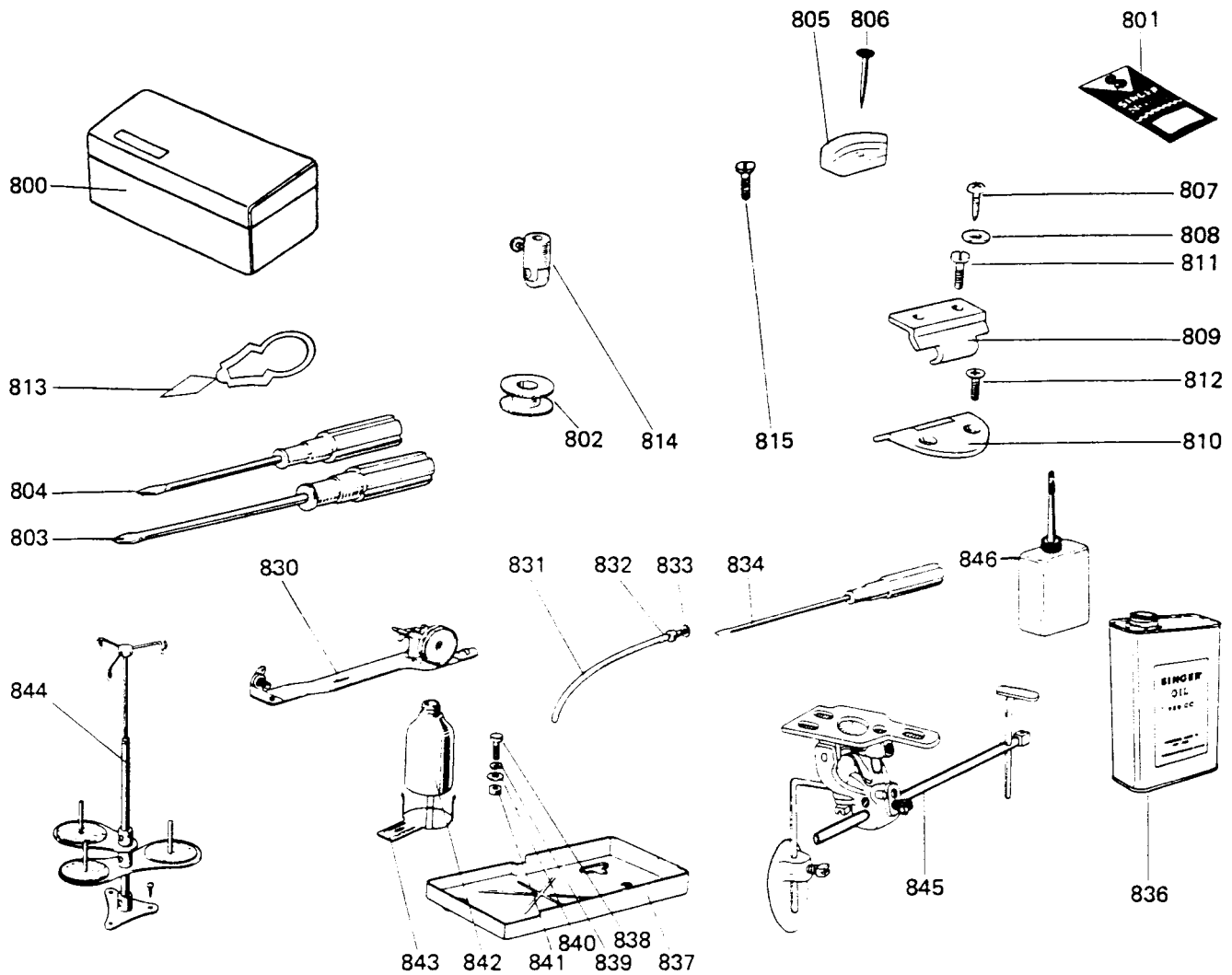
10. REVERSE LEVER MECHANISM



Ref. No.	Part No.	Description
325	CH502791H01	Pin
326	CH509065H01	Screw
327	CH462951H01	Reverse lever connecting plate
328	CH459354H01	Reverse stitch lever
329	CH501246H01	Hinge screw
330	CH563122H05	Lock washer (2)
331	CH501883H01	Nut (2)
332	CH502343H01	Spring guide pin
333	CH502928H01	Hook for spring (2)
334	CH461028H01	Coil spring
335	CH502032H01	Pin for spring
336	CH501934H01	Screw
337	CH459355H01	Reverse stitch plate
338	CH563122H04	Lock washer
339	CH500001H01	Nut
340	CH501570H01	Hinge screw
341	CH502924H01	Reverse stitch shaft crank(right)
342	CH503844H01	Screw
343	CH446142H01	Collar
344	CH509087H01	Screw (2)

Ref. No.	Part No.	Description
345	CH462952H01	Reverse stitch shaft
346	CH461018H01	Reverse stitch shaft crank (left)(2)
347	CH509256H01	Screw
348	CH509266H01	Screw (2)
349	CH460582H01	Bell crank
350	CH500151H01	Screw
351	CH460583H01	Pin
352	CH462729H01	Oil wick
353	CH500478H01	Screw
354	CH461020H01	Pin
355	CH502921H01	Pin
356	CH462981H01	Oil wick
357	CH460584H01	Link
358	CH501009H01	Screw
359	CH462947H01	Feed arm (left)
360	CH509178H01	Screw

11. ACCESSORIES (ACCESSORIES BOX)



Ref. No.	Part No.	Description
800	CH450684H01	Accessories box
801	CAT. No. 1901	Needle #14 (10)
802	CH455964H01	Bobbin (4)
803	CH443654H01	Screw driver (medium)
804	CH443655H01	Screw driver (small)
805	CH449461H01	Vibration preventing rubber (4)
806	CH480433H01	Nail (9)
807	CH519132H01	Screw (2)
808	CH562111H01	Washer (2)
809	CH445507H01	Hinge hook (2)
810	CH445508H01	Hinge plate (2)
811	CH461766H01	Screw (4)
812	CH519131H01	Screw (4)
813	CH479316H01	Threading guide
814	CH462918H01	Roller (set)
815	CH502167H01	Screw (2)
830	CHM31097G01	Bobbin winder Assy.
831	CH451152H01	Vinyl tubing
832	CH446050H01	Screw bushing
833	CH500812H01	Packing

Ref. No.	Part No.	Description
834	CH330196H01	Screw driver (large)
836	CH219663H01	Oil can
837	CH220638H01	Oil pan
838	CH990013H01	Bolt
839	CH990014H01	Spring washer
840	CH502735H01	Washer
841	CH990015H01	Nut
842	CH319422H01	Oil bottle
843	CH453513H01	Oil bottle holder
844	CH218874H01	Cotton stand assembly
845	CHM31048H01	Knee lifter (set)
846	CH831001X01	Oiler (large)